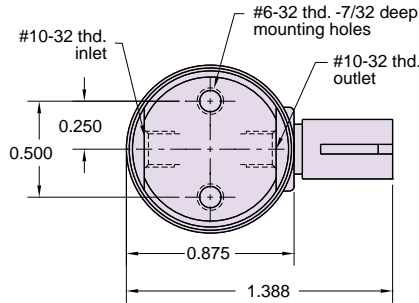




EVP SERIES PROPORTIONAL CONTROL VALVES

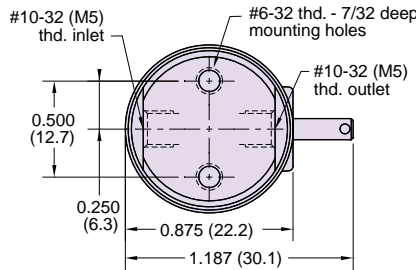
IN-LINE MOUNT

EC - P - □ - □ □ - □



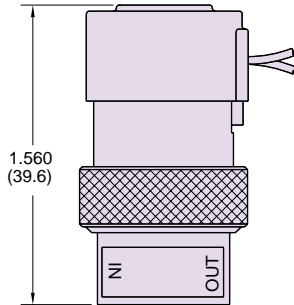
Type: 2-Way, Proportional
Medium: Air, Inert Gases
Temperature Range: 32° to 120° F
Power Consumption: 1.9 watts at 23°C 2.3 watts max.
Mounting: In-line
Ports: #10-32 (M5) Female

ET - P - □ - □ □ - □



Orifice Diameter (in.)	Rated Pressure (psig)	Flow at Max. Current (scfh)
0.009	100	5.7±10%
0.013	100	14.2±10%
0.025	100	50.0±10%
0.040	50	40.0±10%
0.060	25	30.0±10%

EV - P - □ - □ □ - □



Nominal Voltage Range at 23°C (vdc)	Input Current Range (amps)	Coil Resistance at 23°C (ohms)	Max. Voltage Required (vdc)
0 - 5	0 - 0.370	13.5	6.2
0 - 10	0 - 0.185	54	12.4
0 - 20	0 - 0.092	218	24.8

The EVP Proportional Valve can be calibrated for pressures less than the maximum shown here. Lower pressures may be substituted, and will be used for calibration. The pressures shown above are standard options. For pressures less than 10 psig, please consult factory.

NUMBERING SYSTEM

E □ - P - □ - □ □ - □

C - Connector
T - Terminal Spades
V - Wire Leads

Voltages: *
05 - 0-5 VDC
10 - 0-10 VDC
20 - 0-20 VDC

Orifice Options: §
09 - 0.009 dia.
13 - 0.013 dia.
25 - 0.025 dia.
40 - 0.040 dia.
60 - 0.060 dia.

Maximum Pressure: §
25 - 25 psig
50 - 50 psig
A0 - 100 psig
25 - 25 psig
50 - 50 psig
25 - 25 psig

Options:
Blank - none
E - EPDM
V - Viton® seals

Ports:
Blank - #10-32
M5 - Metric

* Consult factory for availability of non-standard voltages and other options

§ Standard Orifice Configurations
09A0 13A0 25A0
4050 6025

Sample part number:
EC-P-10-25A0

For Cable and Connectors, see Page 184.